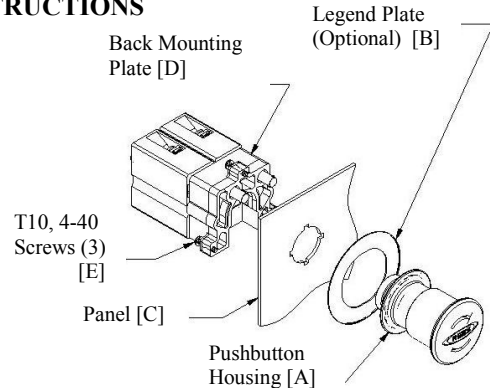


## 22102 INSTALLATION INSTRUCTIONS

1. Observe all SAFETY REQUIREMENTS and PROCEDURES during installation, set-up and running.
2. N.E.C. and local wiring codes MUST be followed at all times.
3. Do not actuate Pushbutton [A] when it is not mated with the Back Mounting Plate [D]. *Malfunction may occur.*
4. Ensure O-ring is properly seated, place (optional) Legend Plate [B] on Pushbutton Housing [A], and insert through the Panel [C].
5. Press Back Mounting Plate [D] into the back side of the Panel [C], slide down and fully engage onto the Pushbutton Housing [A] ensuring plunger shaft is fully engaged into the actuator slide.
6. Press plunger into the actuated position and ensure that the Plunger Housing [A] is fully engaged in the Back Mounting Plate [D] and plunger shaft is centered and free to travel as the switch is actuated.
7. Tighten (3) T10, 4-40 Screws [E] to **6 in-lbs.** to secure the assembly (*screw can fracture if shank binds and is then twisted excessively*). Consider: periodic checking, thread locking, and/or other countermeasures in applications where more severe vibration might exist.
8. Connect as required with 14 AWG, stranded copper wire only. Torque terminal screws to 18 in.-lbs. (20.7 cm-kg).
9. To avoid pinched skin; fully depress lock plate flush to plunger face before pulling to reset plunger head. Test switch for safe operation.



**WARNING** - Normally Open (NO) contacts must not be used for emergency stop control circuits. Never stack blocks more than three tiers high. These devices are rated NISD only when at least one Normally Closed (NC) contact block is securely attached, Plunger Head is Red, and enclosure is UL/NEMA 12,13 or better.

NISD (E357870) - Emergency Stop Push Buttons: 22102-012, -102, 122, 132, 142, 202, 212, 232, 242, and 312; P.B. Operator(s) 22102-502 or -522 when fitted with; 50702, 50703, 50716 (shall not have any cont. blocks stacked on top of it), 51703, or 52702.

### Warning - Danger

These products should only be used where point-of operation guarding devices have been properly installed and maintained so that all appropriate OSHA and ANSI regulations and standards are met. Misapplication of these products on machinery lacking effective point-of-operation safeguards can cause serious injury to the operator of that machinery.

### AVERTISSEMENT - DANGER

Ces produit doivent seulement être utilisés sur des postes à risque correctement sécurisés et entretenus afin d'être conforme aux standards et régulations en vigueur (CSA, CLC). Un mauvais usage de ces produits sur des machines et des postes de travail non sécurisés de manière efficace peut causer des blessures graves au technicien maniant ces machines.

**REES, Inc. Fremont, IN 46737 260-495-9811 FAX 260-495-2186 [www.reesinc.com](http://www.reesinc.com)**

04853-522 Rev. H 071416